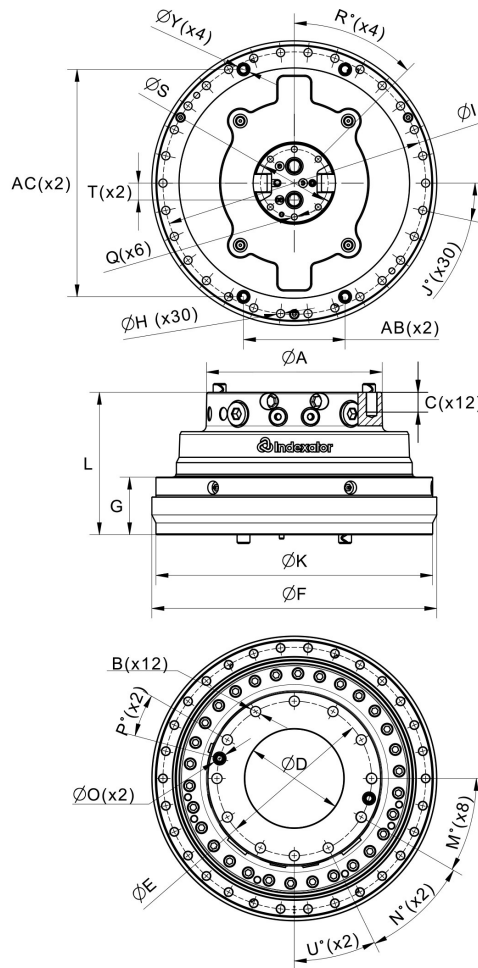
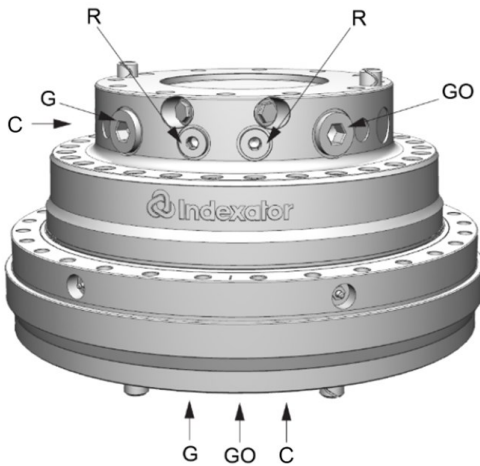


XR 400 C

Part No.: 8400015

- Central lubrication



Upper		
Central lubrication:	G GO:	R:
M10 x 1,0	G 1	G 1/2

A:	AB:	AC:	B:	C:	D:	E:	F:	G:	H:	I:	J:	K:	L:
Ø300 mm	174 mm	390 mm	M20	34 mm	Ø170 mm	Ø265 mm	Ø488 mm	99 mm	Ø14 mm	Ø450 mm	12°	Ø474 mm	244 mm
M:	N:	O:	P:	Q:	R:	S:	T:	U:	Y:				
30°	34°	Ø22 mm	15°	M12	45°	Ø116 mm	29 mm	26°	Ø22 mm				

180 kg	360°	±550 kN	±200 kN	±140 kN	4100 Nm	35 l/min	25 MPa	40 MPa	40 MPa	40 MPa	40 MPa	40 MPa

Max axial load static indicate theoretical max load for hanging applications without accelerations.

Oil distributor ordered separately.

Can be supplemented with hose guard.

We reserve the right to make product changes. For further technical information relating to integration and hydraulic connections, please contact rotator@indexator.com