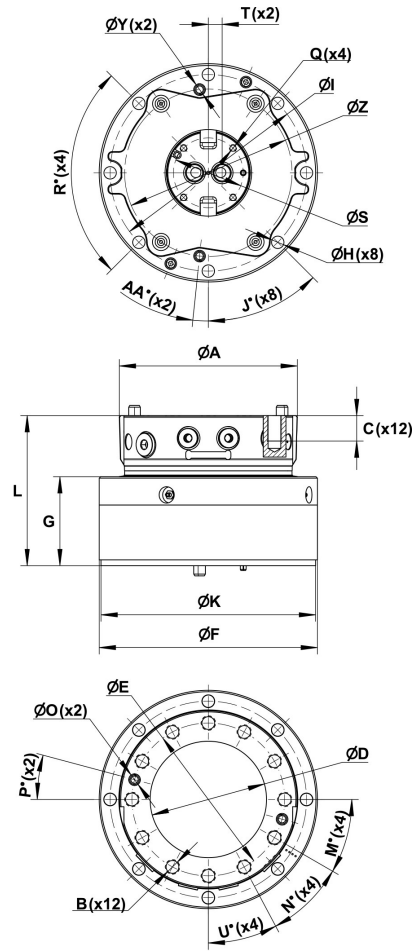
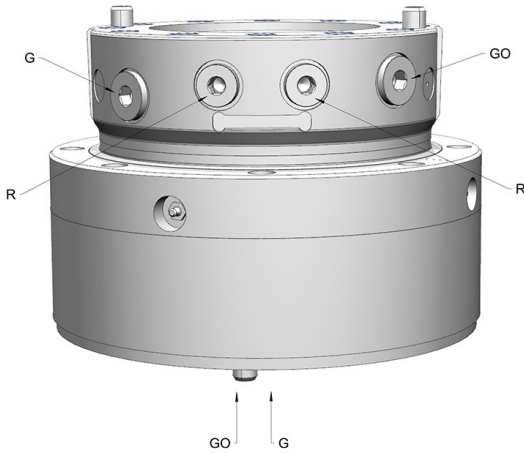


XR 300 LS

Part No.: 8300003

- Load Sense



Upper	
G GO:	R:
G 3/4	G 1/2

A: Ø244,7 mm	AA: 6°	B: M20	C: 33 mm	D: Ø160 mm	E: Ø210 mm	F: Ø300 mm	G: 122,3 mm	H: Ø17 mm	I: Ø270 mm	J: 45°	K: Ø295 mm	L: 206,3 mm	M: 30°
N: 32°	O: Ø16 mm	P: 15°	Q: M10	R: 90°	S: Ø96 mm	T: 19 mm	U: 28°	Y: Ø16 mm	Z: Ø230 mm				

77 kg	360°	±300 kN	±90 kN	±70 kN	3000 Nm	28 RPM	28 l/min	25 MPa	35 MPa	35 MPa

A rotator with the shortening LS is not equipped with restrictors (unlike our standard rotators). This means that the oil flow from the base machine has to be adapted.

Max axial load static indicate theoretical max load for hanging applications without accelerations.

Oil distributor ordered separately

We reserve the right to make product changes. For further technical information relating to integration and hydraulic connections, please contact rotator@indexator.com