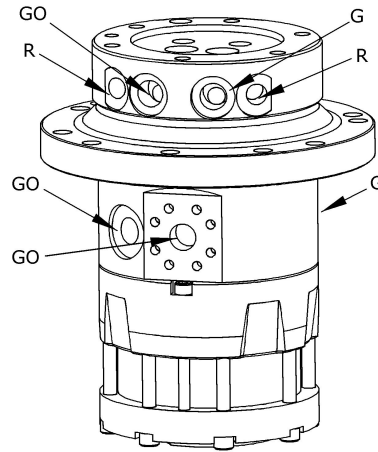
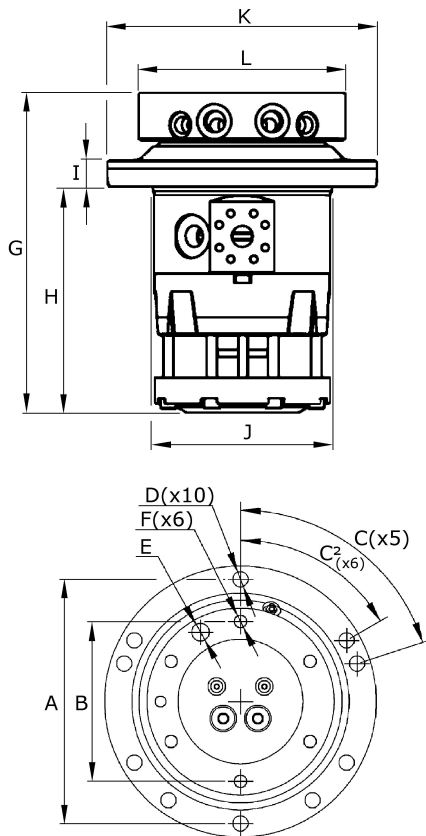


# ROTATOR | ROTATOR - IR 10 M16



## Technical data

Part no	8000 307
Dimensional drawing	2000 727
Hydraulic circuit	2100 001
Rotation	unlimited
Weight	81 kg
Max axial load static	± 250 kN
Max axial load dynamic	± 70 kN
Torque at 19 MPa (2 756 psi)	2100 Nm

## Measure specification

	mm
A	Ø275
B	Ø180
C	72°
C²	60°
D	Ø17
E	Ø20*
F	M16
G	263
H	155
I	30
J	Ø205*
K	Ø305
L	Ø210

## Function

Function	Max working pressure	Rec oilflow	Connections
R = Rotation ⇄	19 MPa** 2756 psi**	25 l/min 6,6 USGPM	G 1/2
GO = Grapple open ⇄	35 MPa 5076 psi	* *	G 3/4
G = Grapple close ⇄	35 MPa 5076 psi	* *	G 3/4

\* For more technical information about installation and hydraulic connections, we refer to dimensional drawing and hydraulic circuit as specified above.

These documents can be ordered at [rotator@indexator.com](mailto:rotator@indexator.com)

\*\* Pressure limiting valves fitted