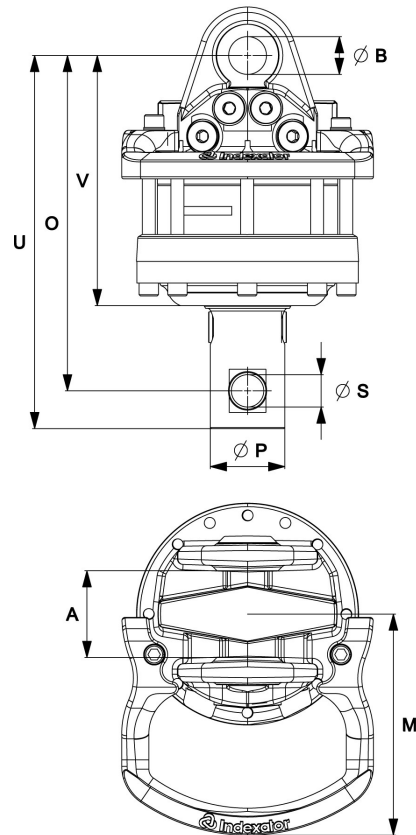
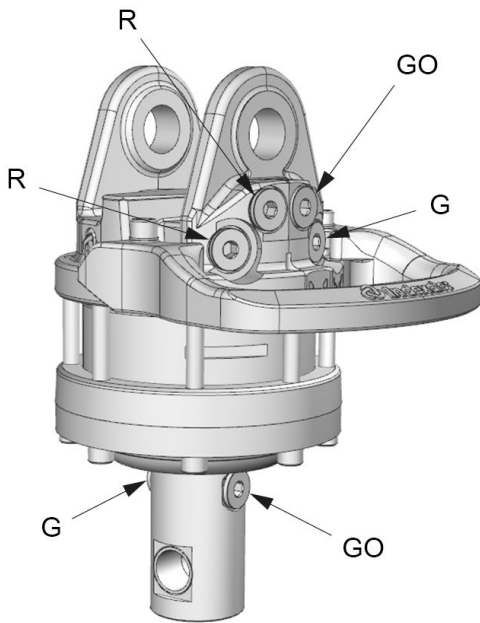











GV 6 -69/30

Part No.: 5006295



Upper connection	Lower connection
G 1/2	G 1/2

A: 80,5 mm	B: Ø35 mm	M: 205 mm	O: 311 mm	P: Ø69 mm	S: Ø30 mm	U: 346 mm	V: 232 mm
---------------	--------------	--------------	--------------	--------------	--------------	--------------	--------------

 39 kg	 360°	 Max 60 kN	 Max 25 kN	 1400 Nm	 Max 25 l/min	 Max 20 MPa	 Max 20 MPa	 Max 30 MPa
--	---	---	---	--	---	--	--	--

Adapter sets are available for alternative connections.

We reserve the right to make product changes. For further technical information relating to integration and hydraulic connections, please contact rotator@indexator.com