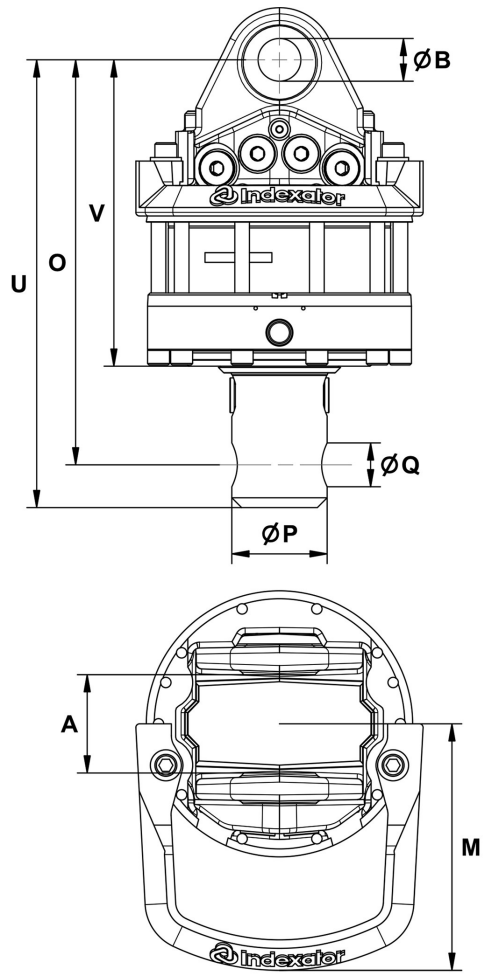
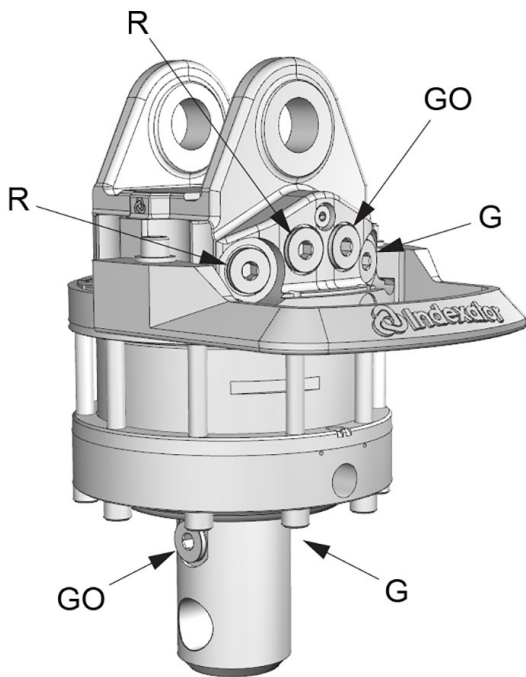


# GV 12 -78/35 P

Part No.: 5120006



| Upper connection | Lower connection |
|------------------|------------------|
| G 1/2            | G 1/2            |

|               |              |              |              |              |              |              |              |
|---------------|--------------|--------------|--------------|--------------|--------------|--------------|--------------|
| A:<br>80,5 mm | B:<br>Ø35 mm | M:<br>202 mm | O:<br>332 mm | P:<br>Ø78 mm | Q:<br>Ø35 mm | U:<br>367 mm | V:<br>251 mm |
|---------------|--------------|--------------|--------------|--------------|--------------|--------------|--------------|

|         |      |        |       |         |          |        |        |        |
|---------|------|--------|-------|---------|----------|--------|--------|--------|
|         |      |        |       |         |          |        |        |        |
| 48.3 kg | 360° | 100 kN | 50 kN | 2200 Nm | 25 l/min | 25 MPa | 25 MPa | 25 MPa |

Adapter sets are available for alternative connections.

We reserve the right to make product changes. For further technical information relating to integration and hydraulic connections, please contact [rotator@indexator.com](mailto:rotator@indexator.com)